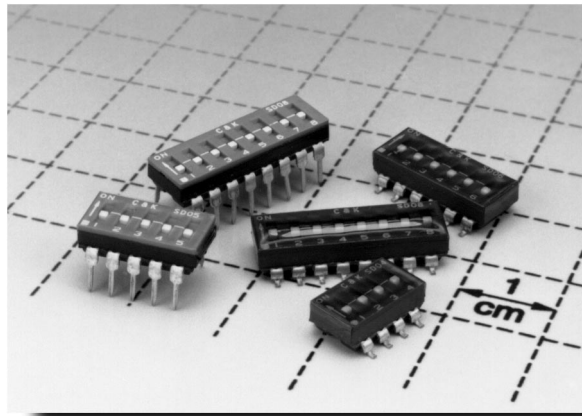


# SD Series Low Profile DIP Switches



## Features/Benefits

- Low profile design saves space
- Thru-hole and surface mount models
- With or without tape seal
- Tape and reel packaging available

## Typical Applications

- Address switch for industrial controls
- Logic switching for computers and peripherals
- Function controlling for numerous applications

## How To Order

Complete part numbers for SD Series Low Profile DIP Switches are shown on pages D-8 thru D-11. All switches supplied in 'OFF' position in rigid dispensing tubes or tape and reel packaging.

## Specifications

SWITCH FUNCTION: SPST-2, 3, 4, 5, 6, 7, 8, 9, 10 & 12 positions.

CONTACT RATING:

Carry: 100 mA @ 50 V DC max.

Switch: 0.1 mA @ 5 V DC min. to 100 mA @ 20 V DC max.

MECHANICAL & ELECTRICAL LIFE: 2,000 make-and-break cycles at full load, each circuit.

CONTACT RESISTANCE: Below 50 milliohms typ. initial @ 2-4 V DC, 100 mA.

INSULATION RESISTANCE:  $10^9$  ohms min.

DIELECTRIC STRENGTH: 500 V RMS min. @ sea level between adjacent terminals.

STORAGE TEMPERATURE:  $-40^{\circ}\text{C}$  to  $85^{\circ}\text{C}$ .

OPERATING TEMPERATURE:  $-20^{\circ}\text{C}$  to  $85^{\circ}\text{C}$ .

PACKAGING: Thru-hole switches supplied in rigid dispensing tubes. Surface mount switches available in tape and reel packaging, see page L-38 for drawings and reel information. Switch position 1 denotes pin no. 1. All switch actuators in 'OFF' position, standard.

## Materials

CASE & COVER: Thru-hole: Polyester (PBT). Surface mount: (PPA), flame retardant (UL 94V-0).

ACTUATOR: Nylon, flame retardant (UL 94V-0).

CONTACTS: Copper alloy, with gold plate.

TERMINALS: Copper alloy, with tin-lead alloy plate.

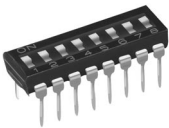
TERMINAL SEAL: All terminals insert molded.

TAPE SEAL: Polyester. Also available unsealed, without top tape.

**NOTE:** Specifications and materials listed above are for switches with standard options. For information on specific and custom switches, consult Customer Service Center.

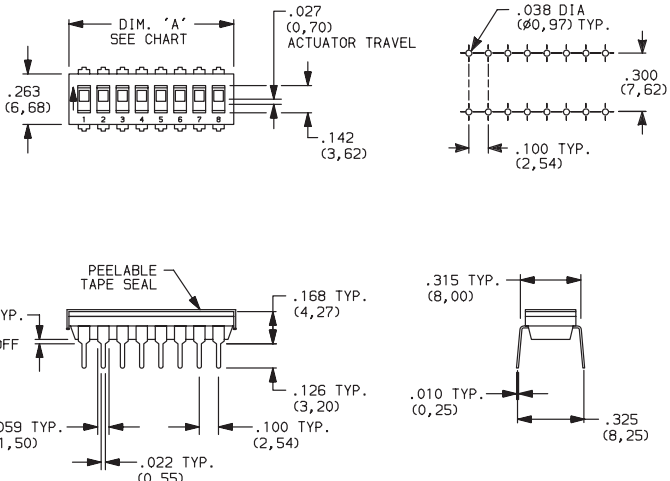
## Sealed Flush Actuator—With Top Tape, Thru-hole Terminals

Process sealed—withstands soldering and cleaning processes



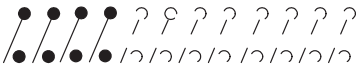
**SD08H0K  
SPST**

**PC MOUNTING**



PART NUMBER	NO. POS.	DIM. 'A'	QUANTITY PER TUBE
<b>SD02H0K</b>	2	.258 (6,55)	85
<b>SD03H0K</b>	3	.358 (9,09)	60
<b>SD04H0K</b>	4	.458 (11,63)	45
<b>SD05H0K</b>	5	.558 (14,17)	40
<b>SD06H0K</b>	6	.658 (16,71)	30
<b>SD07H0K</b>	7	.758 (19,25)	25
<b>SD08H0K</b>	8	.858 (21,79)	25
<b>SD09H0K</b>	9	.958 (24,33)	20
<b>SD10H0K</b>	10	1.058 (26,87)	20
<b>SD12H0K</b>	12	1.258 (31,95)	15

Schematic



SPST

DIP

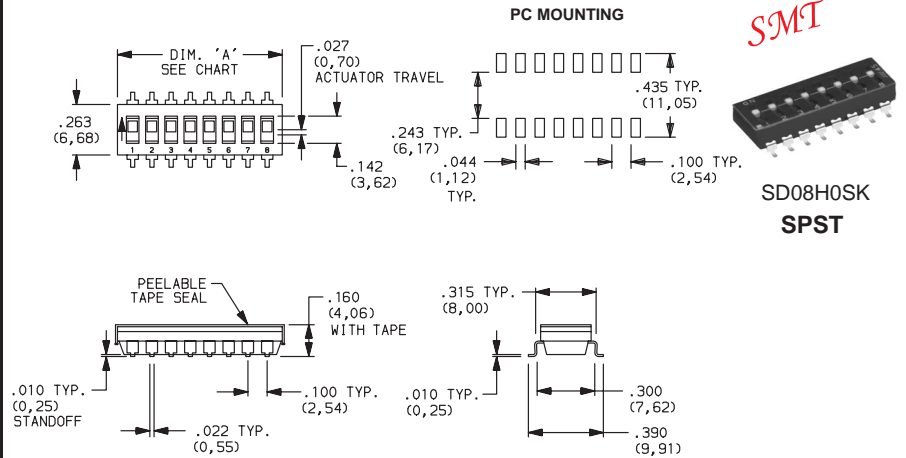
## Sealed Flush Actuator—With Top Tape, Surface Mount Terminals

Process sealed—withstands soldering and cleaning processes

PART NUMBER	NO. POS.	DIM. 'A'	QUANTITY PER TUBE
SD02H0SK	2	.258 (6,55)	85
SD03H0SK	3	.358 (9,09)	60
SD04H0SK	4	.458 (11,63)	45
SD05H0SK	5	.558 (14,17)	40
SD06H0SK	6	.658 (16,71)	30
SD07H0SK	7	.758 (19,25)	25
SD08H0SK	8	.858 (21,79)	25
SD09H0SK	9	.958 (24,33)	20
SD10H0SK	10	1.058 (26,87)	20
SD12H0SK	12	1.258 (31,95)	15

Schematic

SPST

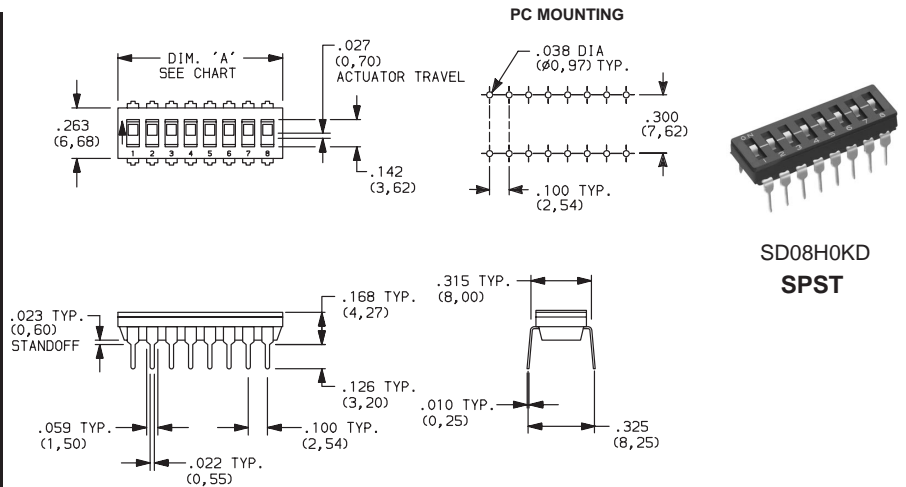


## Unsealed Flush Actuator—No Tape, Thru-hole Terminals

PART NUMBER	NO. POS.	DIM. 'A'	QUANTITY PER TUBE
SD02H0KD	2	.258 (6,55)	85
SD03H0KD	3	.358 (9,09)	60
SD04H0KD	4	.458 (11,63)	45
SD05H0KD	5	.558 (14,17)	40
SD06H0KD	6	.658 (16,71)	30
SD07H0KD	7	.758 (19,25)	25
SD08H0KD	8	.858 (21,79)	25
SD09H0KD	9	.958 (24,33)	20
SD10H0KD	10	1.058 (26,87)	20
SD12H0KD	12	1.258 (31,95)	15

Schematic

SPST

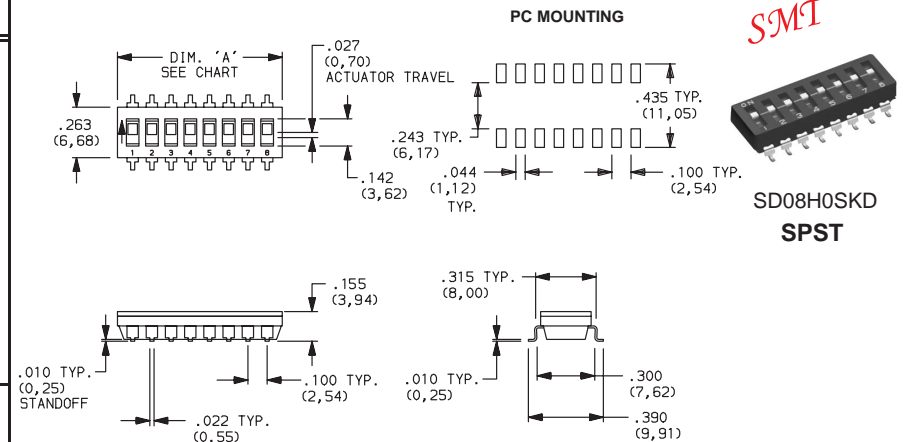


## Unsealed Flush Actuator—No Tape, Surface Mount Terminals

PART NUMBER	NO. POS.	DIM. 'A'	QUANTITY PER TUBE
SD02H0SKD	2	.258 (6,55)	85
SD03H0SKD	3	.358 (9,09)	60
SD04H0SKD	4	.458 (11,63)	45
SD05H0SKD	5	.558 (14,17)	40
SD06H0SKD	6	.658 (16,71)	30
SD07H0SKD	7	.758 (19,25)	25
SD08H0SKD	8	.858 (21,79)	25
SD09H0SKD	9	.958 (24,33)	20
SD10H0SKD	10	1.058 (26,87)	20
SD12H0SKD	12	1.258 (31,95)	15

Schematic

SPST

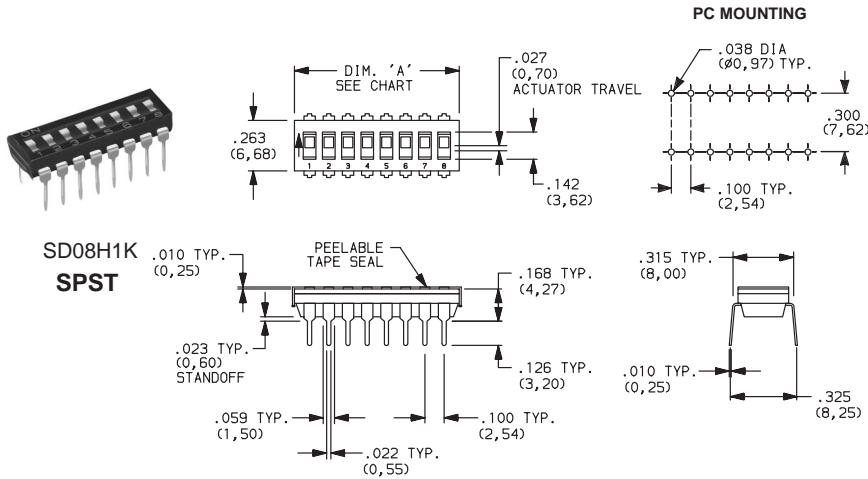


# SD Series Low Profile DIP Switches



## Sealed Extended Actuator—With Top Tape, Thru-hole Terminals

Splash resistant

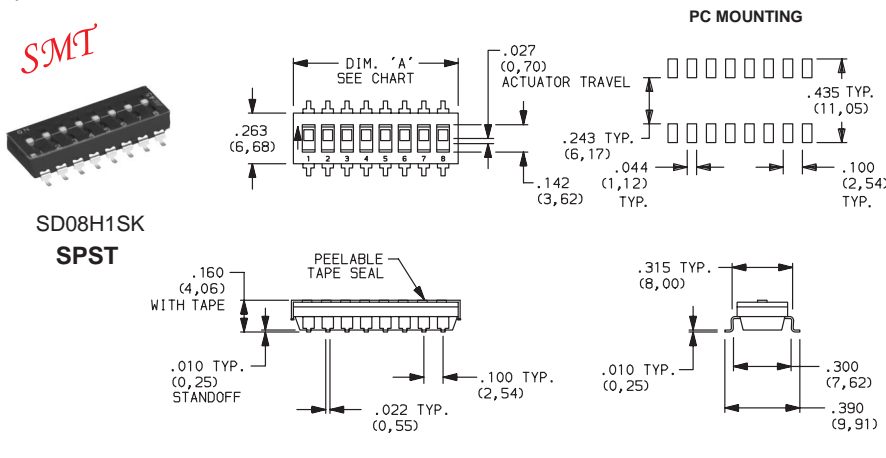


PART NUMBER	NO. POS.	DIM. 'A'	QUANTITY PER TUBE
<b>SD02H1K</b>	2	.258 (6,55)	85
<b>SD03H1K</b>	3	.358 (9,09)	60
<b>SD04H1K</b>	4	.458 (11,63)	45
<b>SD05H1K</b>	5	.558 (14,17)	40
<b>SD06H1K</b>	6	.658 (16,71)	30
<b>SD07H1K</b>	7	.758 (19,25)	25
<b>SD08H1K</b>	8	.858 (21,79)	25
<b>SD09H1K</b>	9	.958 (24,33)	20
<b>SD10H1K</b>	10	1.058 (26,87)	20
<b>SD12H1K</b>	12	1.258 (31,95)	15



## Sealed Extended Actuator—With Top Tape, Surface Mount Terminals

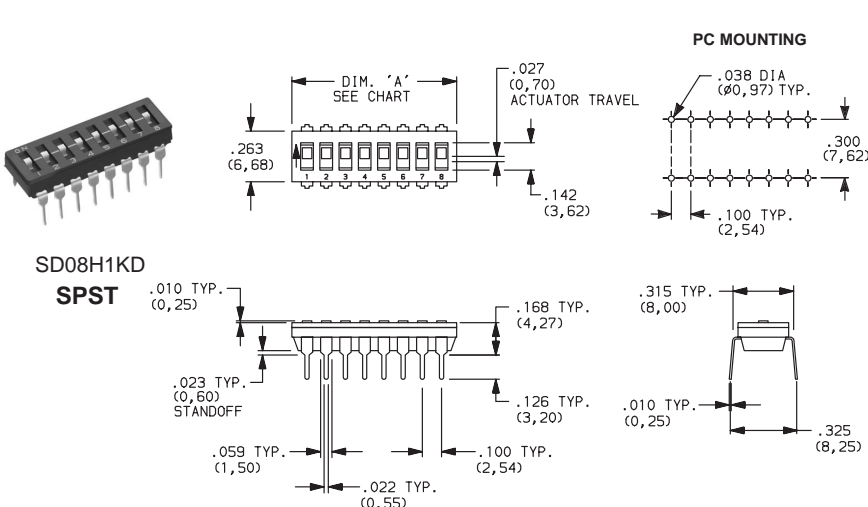
Splash resistant



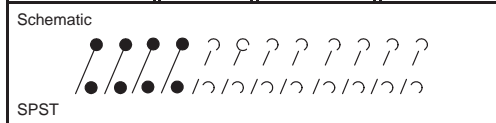
PART NUMBER	NO. POS.	DIM. 'A'	QUANTITY PER TUBE
<b>SD02H1SK</b>	2	.258 (6,55)	85
<b>SD03H1SK</b>	3	.358 (9,09)	60
<b>SD04H1SK</b>	4	.458 (11,63)	45
<b>SD05H1SK</b>	5	.558 (14,17)	40
<b>SD06H1SK</b>	6	.658 (16,71)	30
<b>SD07H1SK</b>	7	.758 (19,25)	25
<b>SD08H1SK</b>	8	.858 (21,79)	25
<b>SD09H1SK</b>	9	.958 (24,33)	20
<b>SD10H1SK</b>	10	1.058 (26,87)	20
<b>SD12H1SK</b>	12	1.258 (31,95)	15



## Unsealed Extended Actuator—No Tape, Thru-hole Terminals

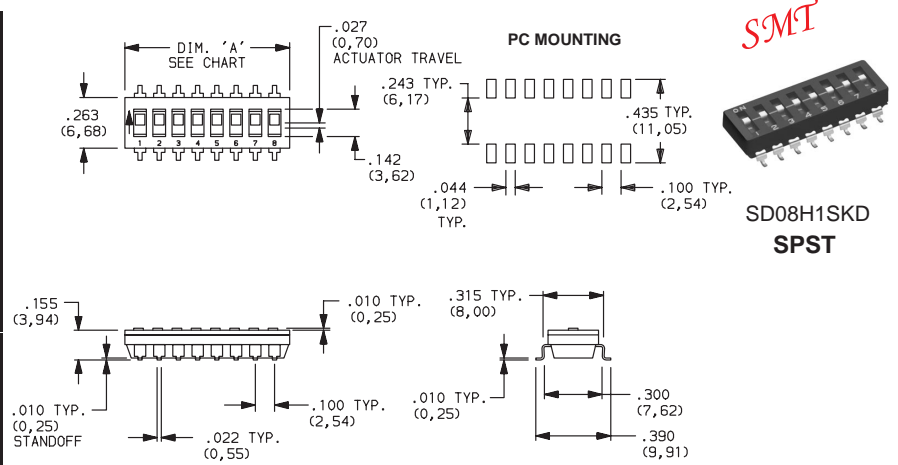
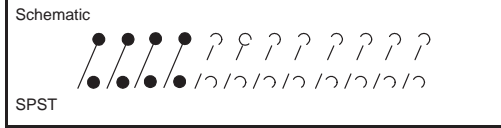


PART NUMBER	NO. POS.	DIM. 'A'	QUANTITY PER TUBE
<b>SD02H1KD</b>	2	.258 (6,55)	85
<b>SD03H1KD</b>	3	.358 (9,09)	60
<b>SD04H1KD</b>	4	.458 (11,63)	45
<b>SD05H1KD</b>	5	.558 (14,17)	40
<b>SD06H1KD</b>	6	.658 (16,71)	30
<b>SD07H1KD</b>	7	.758 (19,25)	25
<b>SD08H1KD</b>	8	.858 (21,79)	25
<b>SD09H1KD</b>	9	.958 (24,33)	20
<b>SD10H1KD</b>	10	1.058 (26,87)	20
<b>SD12H1KD</b>	12	1.258 (31,95)	15



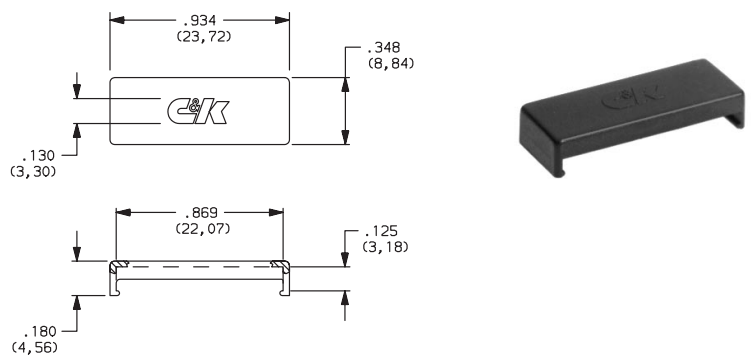
## Unsealed Extended Actuator—No Tape, Surface Mount Terminals

PART NUMBER	NO. POS.	DIM. 'A'	QUANTITY PER TUBE
<b>SD02H1SKD</b>	2	.258 (6,55)	85
<b>SD03H1SKD</b>	3	.358 (9,09)	60
<b>SD04H1SKD</b>	4	.458 (11,63)	45
<b>SD05H1SKD</b>	5	.558 (14,17)	40
<b>SD06H1SKD</b>	6	.658 (16,71)	30
<b>SD07H1SKD</b>	7	.758 (19,25)	25
<b>SD08H1SKD</b>	8	.858 (21,79)	25
<b>SD09H1SKD</b>	9	.958 (24,33)	20
<b>SD10H1SKD</b>	10	1.058 (26,87)	20
<b>SD12H1SKD</b>	12	1.258 (31,95)	15



## Protective Cover *New!*

A snap-on thermoplastic cover is available for all SD08 models. The cover is designed to prevent accidental actuation of the switch. It is not a seal and should not be used during soldering and cleaning processes.



Part number: 678501000

